

GRORICH PATIO BLINDS

Please Select blind type



Rope and Pulley



Hand Roll up



Geared

GRORICH PATIO BLINDS- ROMAN TYPE



GRORICH PATIO BLINDS-GEARED TYPE [EXTERIOR VIEW]



GRORICH PATIO BLINDS VIEW FROM SIDE AND REAR



GRORICH PATIO SCREEN [MOTORISED] WITH FERRARI-502 FABRIC



GRORICH JUMBO [5MTR WIDE X 4MTR HT.] RETRACTABLE PATIO SCREEN- MOTORISED



Grorich Patio Blinds at Brigade Orion Mall, Bangalore.

Drawn up Patio Blinds



Drawn Down Patio Blinds



Brigade Orion Mall, Bangalore.

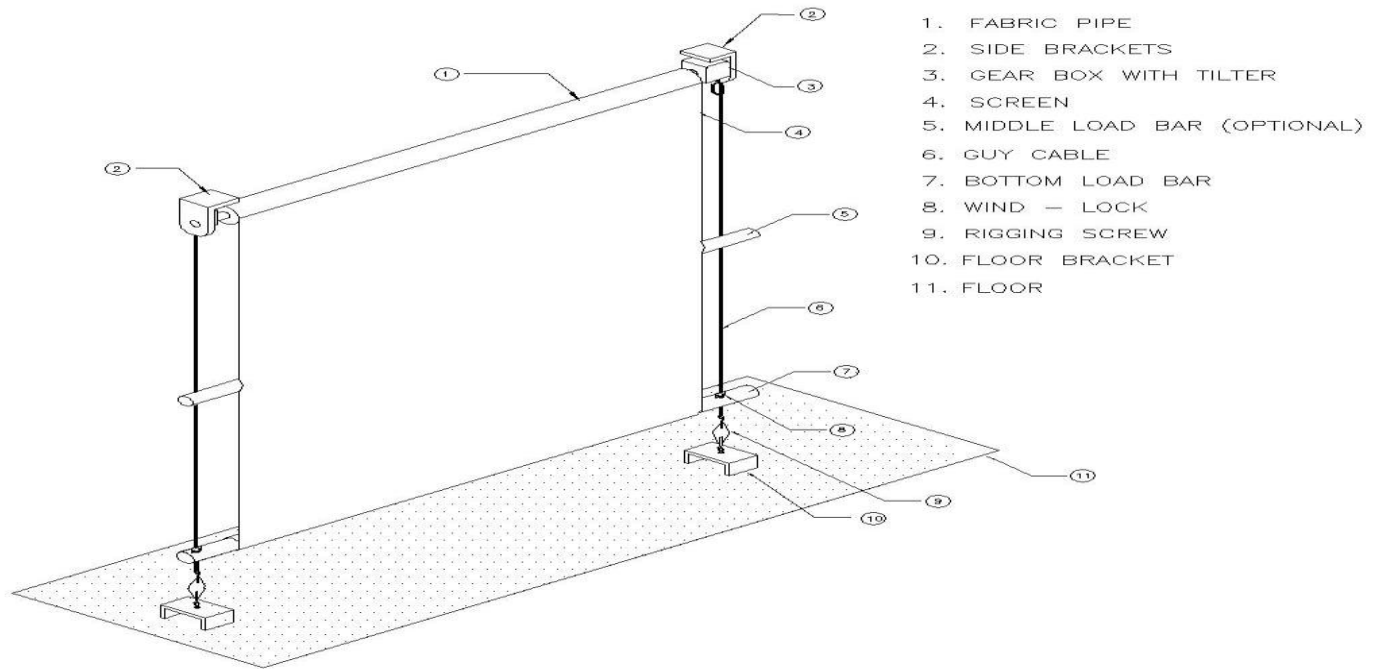


CONSTRUCTION DETAIL OF A TYPICAL GRORICH PATIO BLINDS

PATIO BLINDS



GRORICH HORIVERT PVT.LTD
BANGALORE



GRORICH PATIO BLINDS TECH SPECS

- SUPPLY AND INSTALLATION OF RAIN PROTECTION SYSTEM WITH 63MM DIA COATED ALUMINIUM EXTRUDED FABRIC PIPE HAVING 4MMX4MM GREW PROFILE FOR RAIN-SCREEN INSERTION AND WALL THICKNESS OF 1.6-2MM FOR OPTIMUM STRENGTH.
- THE BEST SUGGESTED SCREEN FOR THIS PURPOSE BEING FERRARI-SOLTIS-AIR;HOWEVER ANY PVC/TEFLON COATED FABRIC, SUITABLE FOR OUTDOOR SHADING PURPOSES CAN BE RECOMMENDED.FABRIC WEIGHT SHOULD BE MINIMUM 380-400GSM AND SHOULD HAVE FAST UV-STABILISED COLOR COATING.FABRIC SHOULD BE WITH OPEN FACTOR OF MINIMUM 3-6% FOR AIR-PERMEABILITY AND STRUCTURAL STABILITY.
- SHOULD THERE BE AN INSISTANCE TO USE THE NON-PERMEABLE FABRICS,PROPOER AIR-VENT SHOULD BE ENSURED TO ACHIEVE THE ABOVE OBJECTIVE.
- BOTTOM LOAD BAR SHOULD BE POCKET WELDED AT THE BOTTOM OF THE RAIN-SCREEN WEIGHING NOT LESS THAN 500GMS/MTR AND TO GUIDE THRU THE GUY-CABLES/POSTS.GUY CABLES OR POSTS SHOULD BE 6-8MM STAINLESS STEEL MATERIAL OF CONSTRUCTION.GUY CABLE/POSTS ARE FIXED BETWEEN THE TOP FABRIC PIPE AND BOTTOMLOAD-BAR AND INDEPENDENT OF THESE TWO.
- THE SYSTEM TO BE PROVIDED WITH WIND-LOCKS ABOVE THE LOAD-BAR AND GUY-CABLE.INTERMEDIATE WIND-BARS ARE OPTIONAL.
- **MANUAL OPERATION:**
- THE RETRACTION AND DROPPING OF THE SCREEN IS ACHIEVED BY GEARED HOUSING FITTED TO ONE END OF THE FABRIC PIPE AND THE OTHER END TO HAVE THE IDLER;BOTH THE IDLER AND OPERATING GEAR-HOUSING ARE FURTHER SUSPENDED BETWEEN END-BRACKETS MADE EITHER OF ENGG. PLASTICS OR METAL BRACKETS.
- **MOTORISED OPERATION :**
- 50MM OR 60MM TUBULA MOTORS ARE RECOMMENDED DEPENDING UPON THE SPAN TO BE COVERED.THE MAXIMUM SPAN FOR MOTORISED OPERATION WILL BE 10MTRX4MTRS WITH INTERMEDIATE COUPLINGS AT EVERY 3-4 MTRS.MOTORS CAN BE EITHER SWITCH CONTROLLED , REMOTE CONTROLLED OR SYSTEM INTEGRATED.
- SOONER GRORICH WILL BE INTRODUCING MANUAL CHAIN OPERATED RAIN PROTECTION SYSTEM TOO.



GRORICH HORIVERT pvt. ltd.

Symphony of Shades

Address : #49/2, Muthurayaswamy layout,
Srigandharakaval, Sunkadakatte, Magadi Road, Bangalore -
560 091. India

Phone: +91 9845043292/ +91 9980043292

Email: info@grorichhorivert.com

www.grorich.in